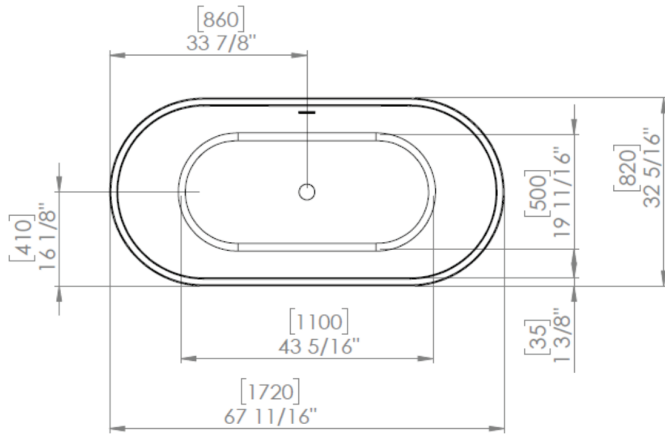


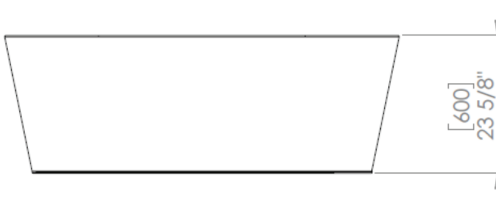


A&E Bath and Shower
 service@aebath.com
 9181 Boivin, Lasalle, QC, Canada, H8R 2E8

Model Modèle: **BT-1203-NF**
 Freestanding bathtub *Baignoire autoportante*



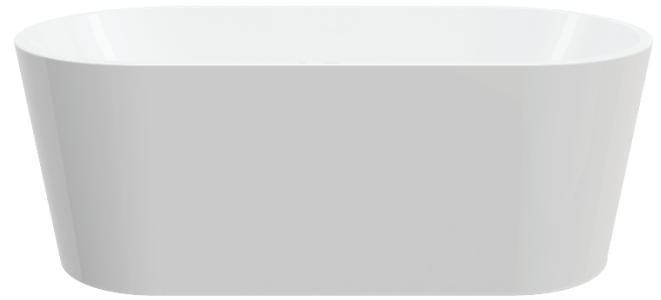
TOP VIEW *VUE DE DESSUS*



FRONT VIEW *VUE DE FACE*



SIDE VIEW *VUE DE CÔTÉ*



* Dimensions may vary +/- 1/4" (6mm) / *Les dimensions peuvent varier de +/- 1/4" (6mm)*

gallons to overflow /	72 gal.
packaging dimension /	69-5/8x34-1/4x25-1/2(in)
approximated weight /	103.6lbs
weight with water /	704.8lbs
bathing well at sump /	43-5/16x19-11/16(in)
bathing well at rim /	65x29-1/2(in)

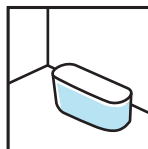


Compliance Certifications:

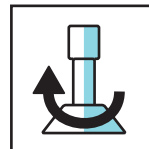
Uniform Plumbing Code
 National Plumbing Code of Canada
 CSA B45.5-17/IAPMO Z124-2017



Pure acrylic construction reinforced by fiberglass
Construction en acrylique renforcée de fibre de verre



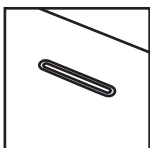
Freestanding installation
Installation autoportante



Adjustable feet
Pattes ajustables



Chrome drain included
Drain chrome inclus



Integrated chrome linear overflow
Pattes ajustables



CUPC certified
Certifié CUPC